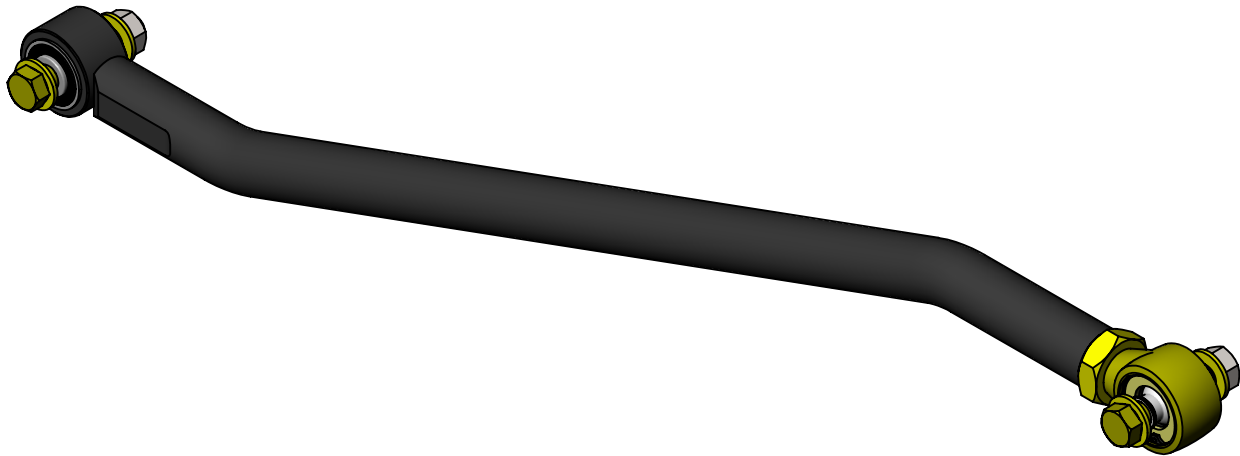


Clayton Off Road
COR-4506200
Jeep Grand Cherokee Adjustable Front Track Bar (1999-2004 WJ)



NOTES: This product may require general welding, fabrication and automotive mechanic skills. Welding should only be done by a competent welder. Clayton Off Road implies no guarantees or warranties and is not liable for improper installation. Some grinding and fitment may be required when installing this product. Every vehicle varies slightly and some fabrication may be required.

For more information please visit our website.

Refer to pictures below.

Step 1: Remove old track bar.

Step 2: Using a 6 point 18mm comb. wrench snap old track bar mount nut off axle.

Step 3: Drill track bar mount on frame to 9/16" diameter.

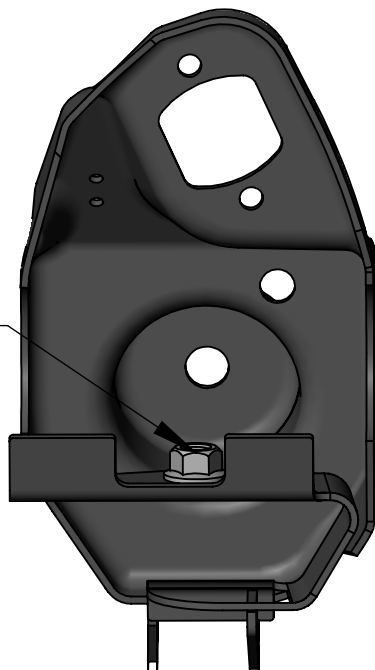
Step 4: Drill track bar mount on axle to 9/16" diameter.

Step 5: Center the body of the vehicle over the axle.

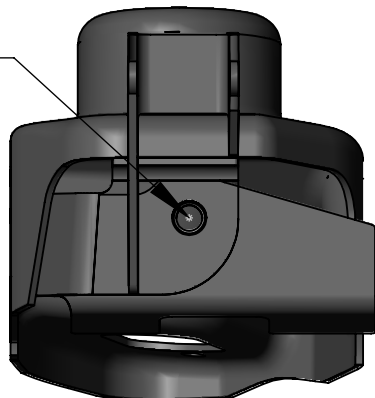
Step 6: Install track bar.

Step 7: Tighten both bolts and jam nut.

Remove nut with 6 point
18mm combination wrench



Drill to 9/16"



Refer to drawing below for minimum and maximum lengths.

