



INSTALLATION INSTRUCTIONS

PART No.

FB27251

'87-'95 YJ Wrangler

Rear Lubeable Boomerang Lift Shackles



REQUIRED TOOLS

Ratchet
(2) 3/4" Socket

KIT CONTAINS

Steel Plate
 1/2" Zinc Plated Steel Bolt w/ Grease Fitting
 .75" Steel Bushing
 1" Steel Bushing
 1/2" Hex Nut
 1/2" Zinc Plated Steel Bolt
 Poly Bushing

QTY

4
 4
 4
 2
 6
 2
 8



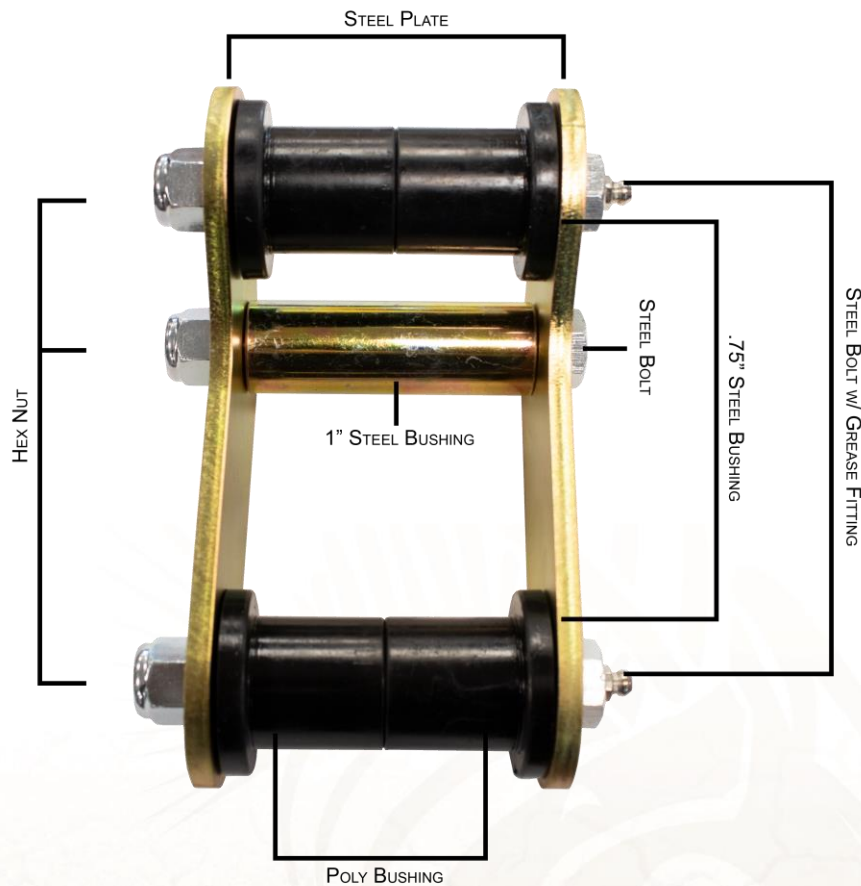
INSTALLATION INSTRUCTIONS

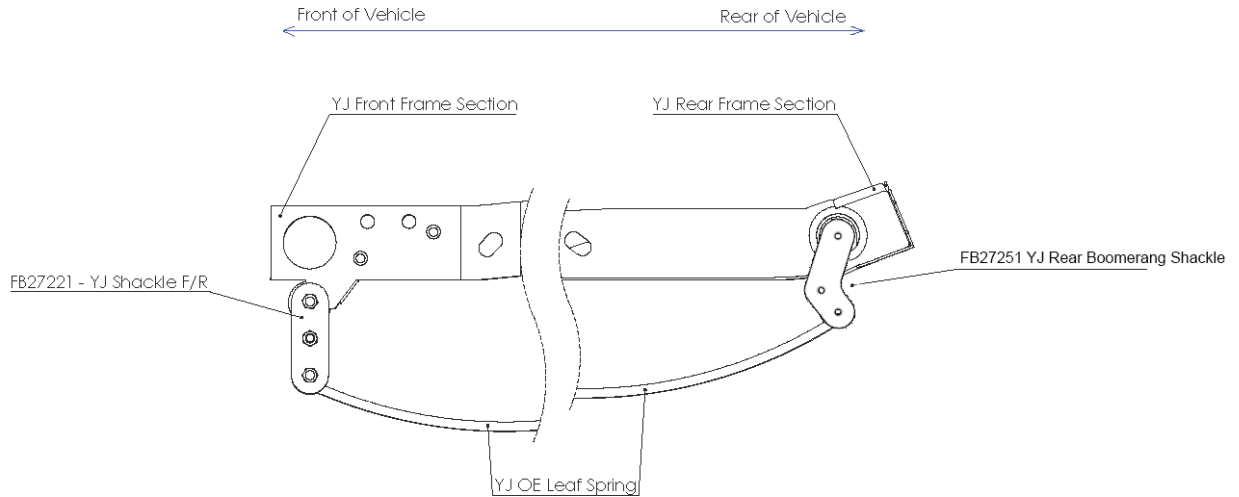
PART No.

FB27251

'87-'95 YJ Wrangler

Rear Lubeable Boomerang Lift Shackles





This Kit Upgrades your CJ-5, 7 To Use YJ Leafsprings For Better Ride Quality

