



Installation Instructions #022 Wheeler's Off-Road Rear SuperBump Set for 2003+ 4Runner and FJ Cruiser



Caution

1. Read all instructions completely and carefully before you begin. If anything is not clear, please call our tech support line at (541) 474-2879 or e-mail support@wheelersoffroad.com before proceeding.
2. Check to make sure the kit is complete and that no parts are missing. If anything is missing, please contact Wheeler's at (541) 474-2879 or e-mail support@wheelersoffroad.com.
3. Park vehicle on a clean, dry, flat, level surface and block the tires so the vehicle cannot roll in either direction.
4. This product is for off-road use only. It is recommended that the installation steps below be performed by a competent mechanic. Buyers and users of this product hereby expressly assume all risks associated with the installation and use of this product.
5. This installation is typical for most vehicles. Some years or models may vary. If necessary, refer to the proper Factory Service Manual for the year and model of your vehicle.



Installation Instructions

1. Jack the vehicle up and support it properly with jack stands.

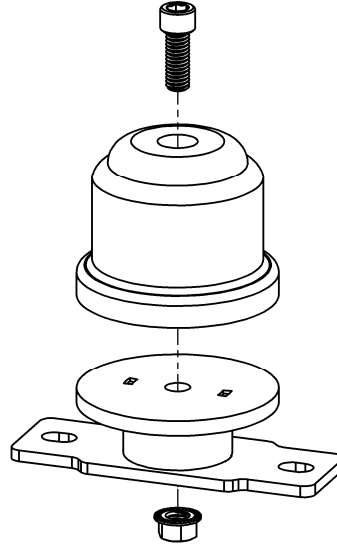
Wheeler's Off-Road, Inc.

Phone: (541) 474-2879

e-mail: support@wheelersoffroad.com

WOR-307194

2. Remove the rear tires.
3. Remove the factory bump stops that are mounted to the frame rail on both sides with two bolts. Retain the mounting hardware. Discard the factory bump stops.
4. Using a 5/16" hex key and a 9/16" socket, assemble the SuperBumps onto the SuperBump brackets as shown below:



5. Install the SuperBump brackets in place of the factory bump stops using the factory bolts removed in Step 3.
6. Notice that there are ABS wires that wander across the top of the axle housing on the left and right sides in the general area that the SuperBump will contact the axle housing. As a precaution, please use the included zip ties to secure the wire to the brake hydraulic hard line that passes through that area to keep it out of the area.

Below is a picture of the ABS wire before the zip tie installation:



Wheeler's Off-Road, Inc.

Phone: (541) 474-2879

e-mail: support@wheelersoffroad.com

WOR-307194

Below is a picture of the ABS wire after the zip tie installation:



7. Reinstall the wheels and lower the vehicle.

Wheeler's Off-Road, Inc.

Phone: (541) 474-2879

e-mail: support@wheelersoffroad.com

WOR-307194