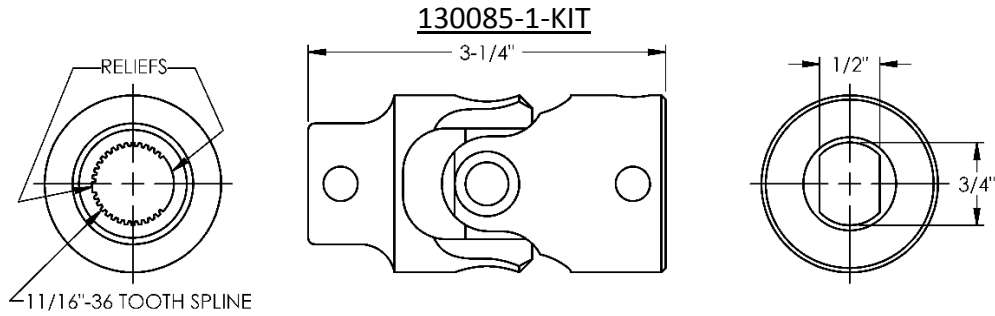
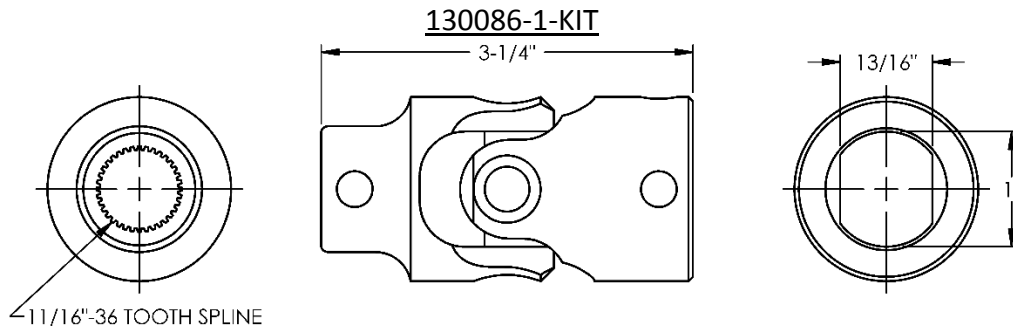




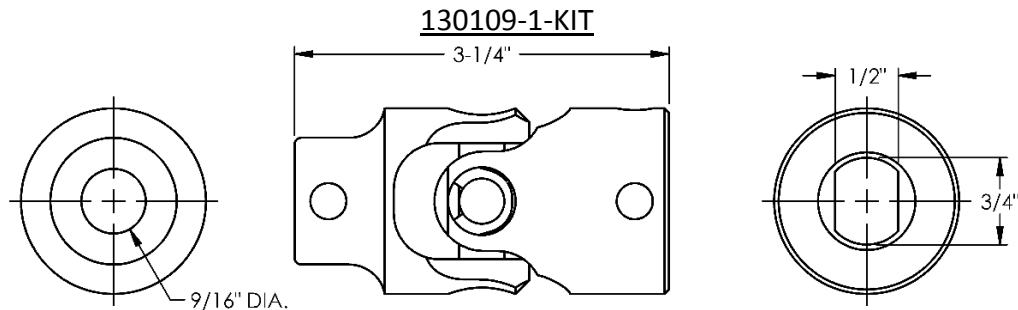
U-Joint & Steering Shaft Dimensional Specifications



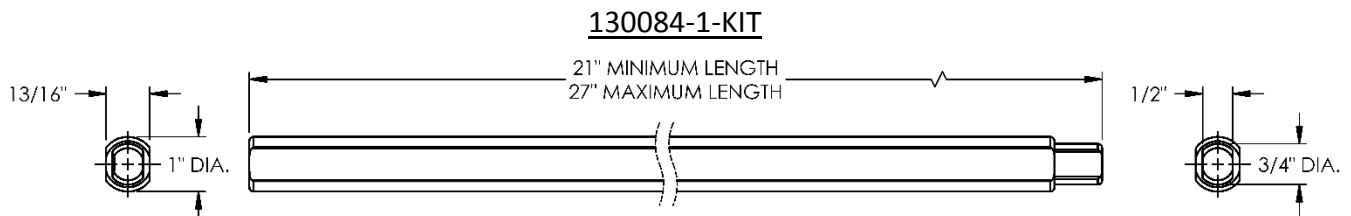
Application: Typically used to connect a Double-D steering shaft to a 1996-2004 Toyota Tacoma stock steering column shaft.



Application: Typically used to connect a Double-D steering shaft to an IFS Steering Box.



Application: Typically used to connect a Double-D steering shaft to a 1995 Toyota Tacoma stock steering column shaft.



Application: Universal steering shaft for Solid Axle Swaps.